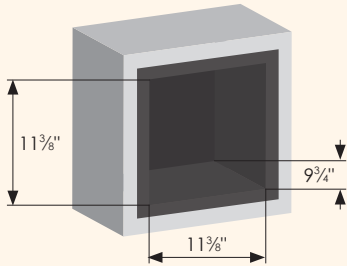


# PRECAST CREMATION NICHES

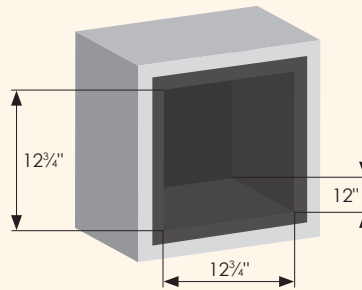
Quality precast concrete niches guaranteed to stand the test of time. Manufactured in environmentally controlled facilities that pass rigid standards of quality through the National Precast Concrete Association, Tribute cremation niches allow for clean, expedited installation for columbarium buildings of any size.

## #803 SMALL PLASTIC LINED



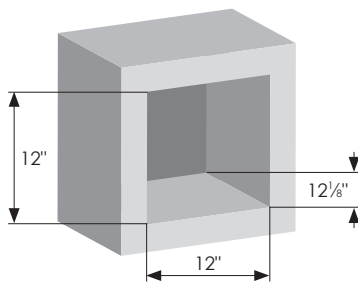
- Plastic lined niche provides smooth finished surface
- Assure the utmost, long term protection from the elements
- Accommodates one cremation urn

## #804 LARGE PLASTIC LINED



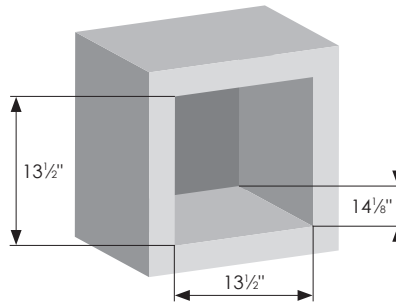
- Plastic lined niche provides smooth finished surface
- Assure the utmost, long term protection from the elements
- Accommodates one cremation urn

## #805 SMALL UNLINED



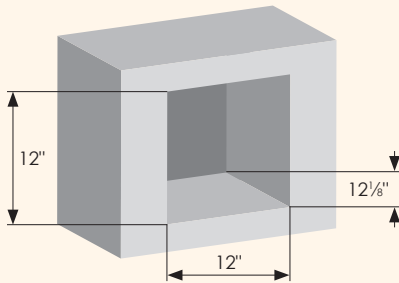
- Tribute's most popular niche style
- Accommodates one cremation urn
- Use two #805 niches side by side to match width of #808 niche
- Two niche units conjoined vertically equals dimension of Tribute crypt front

## #806 LARGE UNLINED



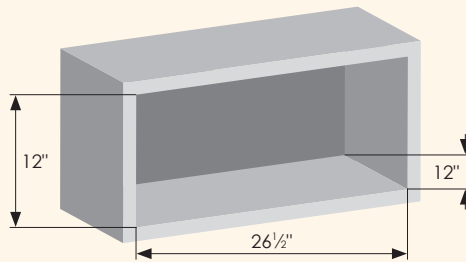
- Accommodates one cremation urn
- Tribute's largest niche offering

## #807 SMALL UNLINED



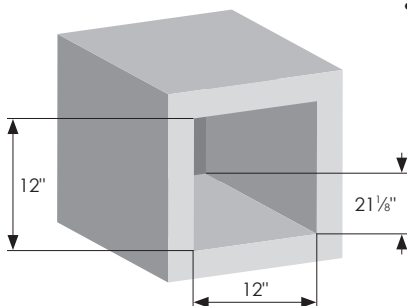
- Accommodates one cremation urn
- Two niche units conjoined horizontally equals dimension of Tribute crypt front

## #808 UNLINED SIDE-BY-SIDE COMPANION



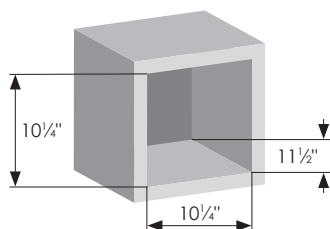
- Wider option to accommodate two cremation urns
- Use two #805 niches side by side to match width of #808 niche

## #809 UNLINED DOUBLE DEPTH COMPANION



- Deeper option to accommodate two cremation urns

## #811 SMALL SPACE SAVER UNLINED



- Increase inventory within a smaller footprint or height
- Accommodates one cremation urn

**Note:** Niche unit dimensions vary slightly from front to rear. Consult Tribute Precast System's full product specification for exact dimensions and details.